

Exam : Foundry FN0-103

**Title : Foundry Networks Certified
Network Professional**

Version : Demo

1. Which routing solution prevents loop problems by sending a maximum hop count when a link goes down?

- A. Split horizon
- B. Poison reverse
- C. STP
- D. OSPF

Answer: B

2. What are OSPF routers that run multiple protocols and serve as gateway to routers outside an area and those operating with different protocols?

- A. redistribution router
- B. area border router
- C. autonomous system boundary router
- D. autonomous system

Answer: C

3. Foundry trunking groups between L3 routers load share based on source and destination IP address.

- A. True
- B. False

Answer: A

4. An OSPF interface configured to be passive will perform which of the following?

- A. send and receive OSPF updates
- B. will not send or receive OSPF updates
- C. will not receive but forward OSPF updates
- D. receive but not forward OSPF updates

Answer: B

5. BPDUs send configuration information messages using what type of frames?

- A. multicast

- B. unicast
- C. udp
- D. tcp

Answer: A

6. Which STP bridge parameter manages the interval a bridge will wait for receipt of a hello packet before initiating a topology change?

- A. maximum age
- B. priority
- C. hello time
- D. forward delay

Answer: A

7. Which of the following is a link state routing protocol?

- A. LAT
- B. IGRP
- C. IPX
- D. OSPF

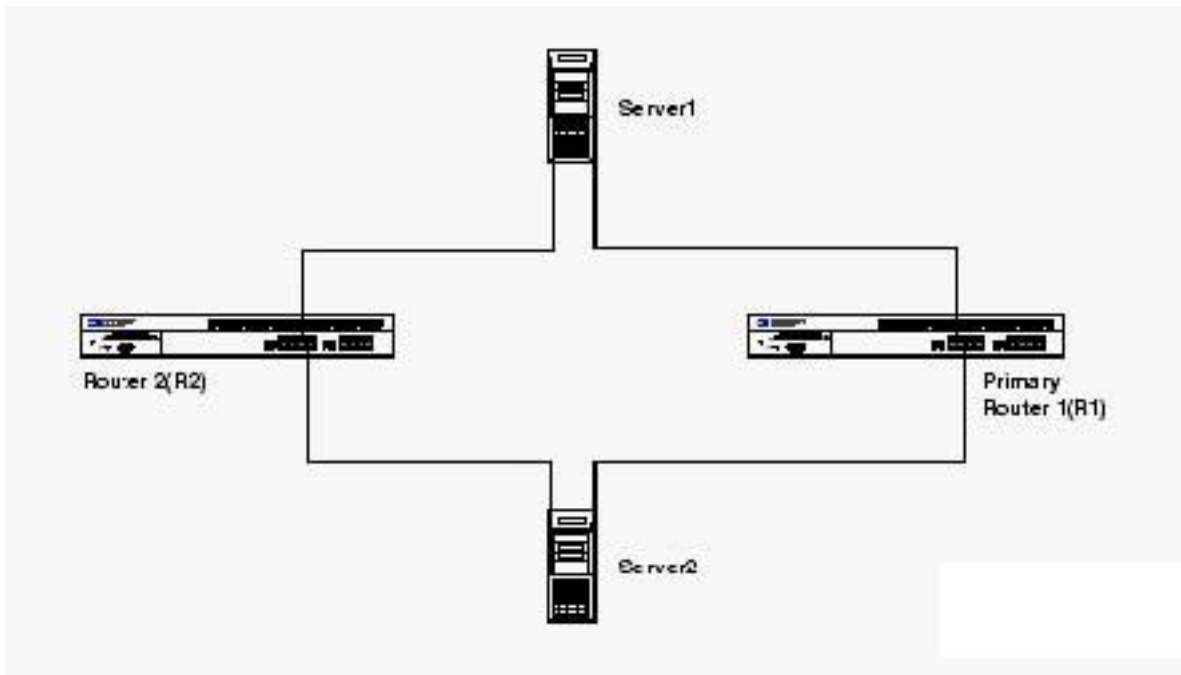
Answer: D

8. Which subnet mask would you use in order to get 30 subnets with a Class C network?

- A. 255.255.255.252
- B. 255.255.255.248
- C. 255.255.255.192
- D. 255.255.255.240

Answer: B

9. In this RIP network, the administrator wants to ensure that all traffic between server1 and server2 is routed through router 1 and that router 1 is seen as the primary router. To ensure that this occurs, the administrator should configure which of the following?



- A. Assign higher hop counts to the router interfaces on router 2
- B. Assign higher hop counts to the router interfaces on router 1
- C. Assign a lower hop count between Server 1 and R2, and a higher hop count between Server 2 and R2
- D. Assign a higher hop count between Server 1 and R1, and lower hop count between Server 2 and R1

Answer: A

10. What do you call a BGP4 Autonomous System that has been subdivided into multiple, stub ASs?

- A. cluster
- B. paths
- C. neighbors
- D. confederation

Answer: D

11. Which of the following statements are true regarding Dynamic NAT on a Foundry L3 switch? (Select all that apply)

- A. Maps a particular global IP address with a particular private address.
- B. Maps private addresses to public addresses in a pool.
- C. A round robin technique is used to select a global IP address to map to a private address from a pool that you configure.

D. Specific hosts in the private network will always use the same Internet address when communicating outside the private network.

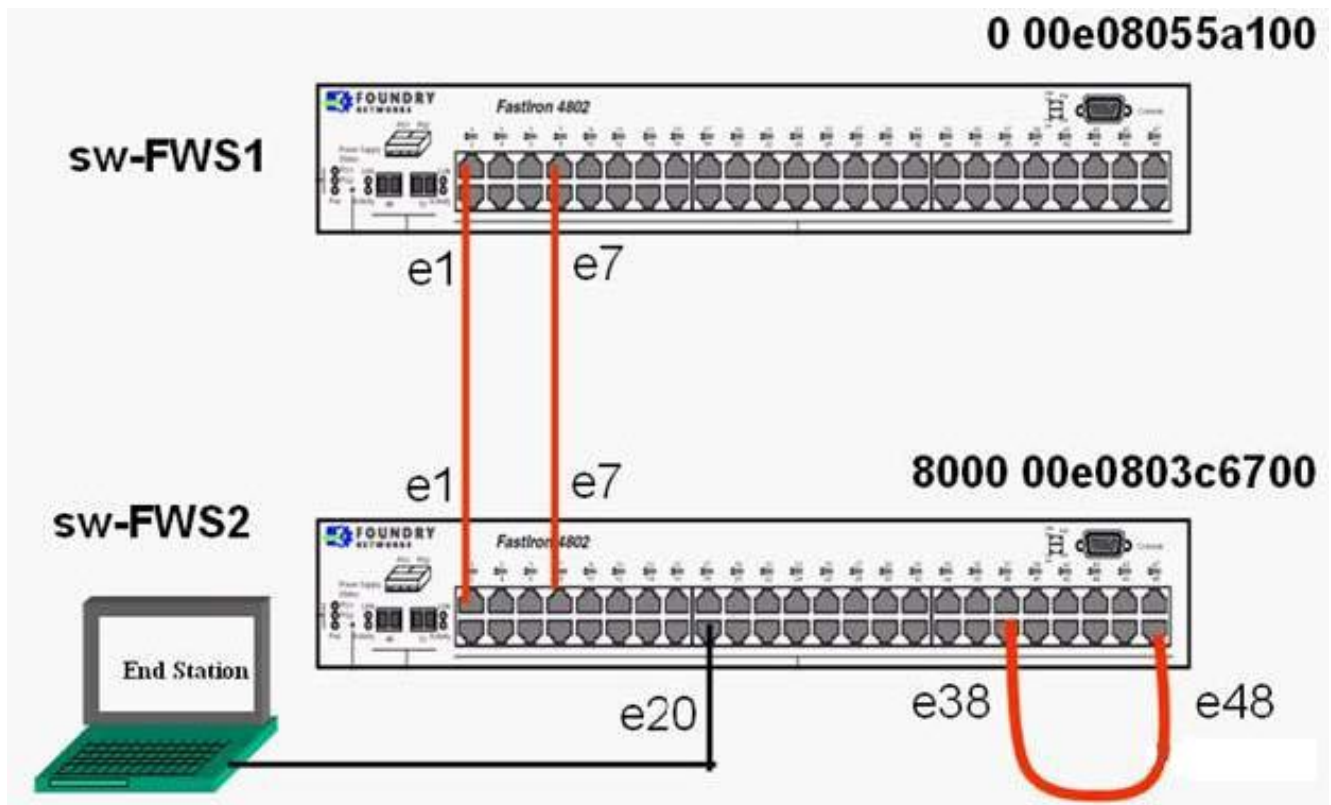
Answer: BC

12. How is a root bridge selected in a network? (Select all that apply)

- A. MAC address
- B. priority
- C. hop count
- D. IP address

Answer: AB

13. Ports e1 and e7 of sw-FWS2 (see diagram) have RSTP port titles assigned. Select the combination of port titles that match the ports..



- A. e1: Backup Port e7: Designated Port
- B. e1: Designated Port e7: Backup Port.
- C. e1: Root Port e7: Alternate Port
- D. e1: Designated Port e7: Designated Port

E. e1: Alternate Port e7: Root Port

Answer: C

14. If the IP address of a server is known, which CLI command will determine what Ethernet port it is connected to?

A. sh stat

B. sh ip interface

C. sh int brief

D. sho arp

Answer: D

15. What transport layer protocol provides a connectionless service between hosts?

A. UDP

B. IP

C. TCP

D. ICMP

Answer: A

16. The show configuration command on a Foundry device will show the running config.

A. True

B. False

Answer: B

17. The declaration of edge ports with the command "admin-edge-port" is part of the configuration of: ANS:

E

A. Per VLAN Group Spanning tree (PVGST) or Topology Groups

B. 802.1s

C. b and c

D. 802.1w

E. 802.1D

Answer: C

18. Which Foundry CLI command will display the number of MAC addresses learned per port?

A. sh mac-address

B. show mac-address stat

C. sh port

D. sh mac

Answer: B

19. BGP4 contains a peer discovery process.

A. True

B. False

Answer: B

20. The show configuration command on a Foundry device will show the running config.

A. True

B. False

Answer: B